



TOTAL AUTOMATION GROUP, INC.

Perimeter Security, Vehicle Barrier, & Access Control Intelligence

CRASH RATED BOLLARDS FIXED/ELECTRIC/HYDRAULIC OR MANUAL

active or passive bollard protection

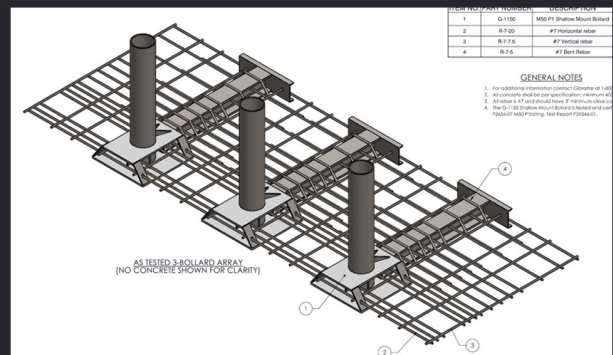


DESCRIPTION:

- *M50, M40, & M30 Crash Ratings
- *Hydraulic, Electric or Manual operation available
- *Fixed Post shallow or deep foundations available
- *Add aesthetically pleasing sleeves

Protecting your assets from vehicular attacks is paramount

Bollards are the ideal solution to protect your assets from a vehicular attack. Operable or fixed bollards can be designed in to your perimeter and entry points to protect personnel from an attack. With the latest trend of random vehicle attacks, it makes sense to look to implement bollards for your location



Crash Rated Active and Passive Bollards

Depending on your location, bollards can be implemented for access control or for permanent fixed protection. These bollards are extremely important to hardening your perimeter.

Additional options such as the integrated LED light strips and intelligent sensors ensure that the active bollard is the safest unit in the industry. The controls can be designed to integrate with any existing access control systems.

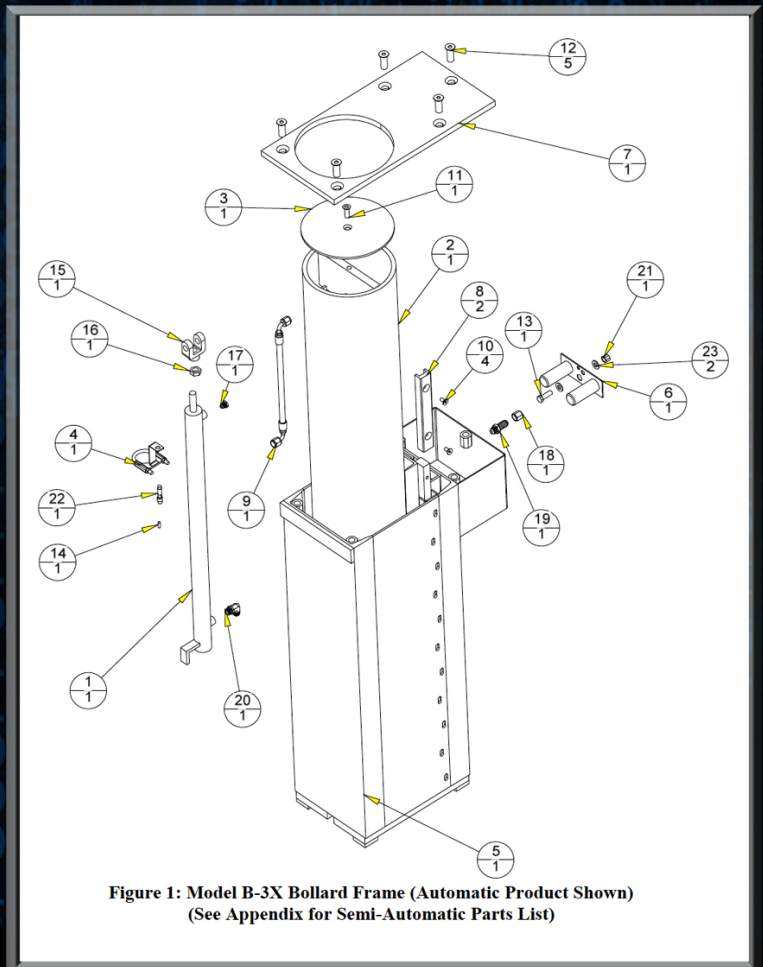


Figure 1: Model B-3X Bollard Frame (Automatic Product Shown)
(See Appendix for Semi-Automatic Parts List)



TOTAL AUTOMATION GROUP, INC

"Don't Get Caught With Your Barriers Down"

www.totalautomationgroup.com



tag@totalautomationgroup.com

